

## BOGIES

We have expanded the range of standard bogies and tender drives to cover most of the popular diesels used in this country and internationally. If you require a bogie that is not on our list, please either phone or email us and we will try to accommodate your request.

We currently have 16 bogies in our range but we are updating this as and when new diesels become available. Keep an eye on our website for up to date details at: [www.abcgears.co.uk](http://www.abcgears.co.uk)

## DELIVERY

**Delivery on bogies is currently 12 weeks, please bear this in mind when placing an order.**

## WHEELS

We currently fit Slaters wheels to our bogies.

## MOTORS

We currently offer a range of standard motors but we can fit a motor supplied by you if it is suitable. Because of the importance of the first stage gear centres, there will be a charge of £5.00 if your motor does not conform to our standard motor mounting plate.

### **Please note:**

**\*We cannot offer a guarantee on customer supplied motors\*.**

## GEAR RATIOS

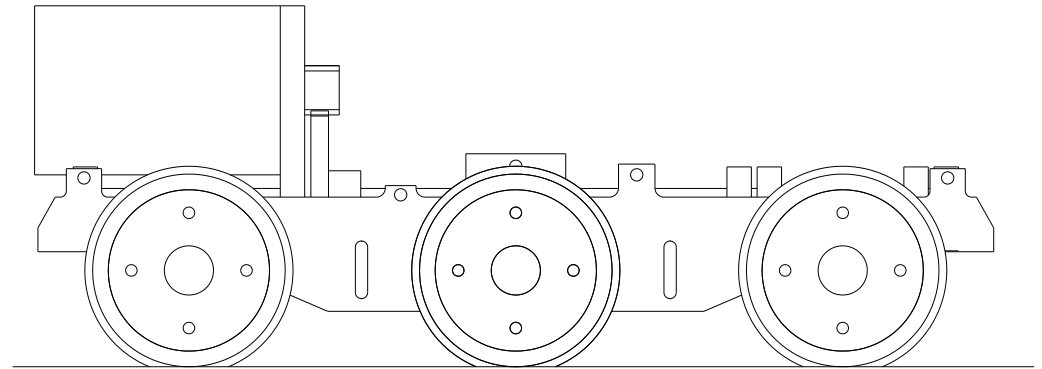
To help match the motor and wheel to the required performance, the bogies are available with ten gear ratios:

22.5:1, 19.9:1, 18.8:1, 17.9:1, 16.1:1, 15:1, 13.8:1, 12.8:1, 11.9:1, 10:1

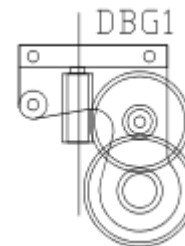
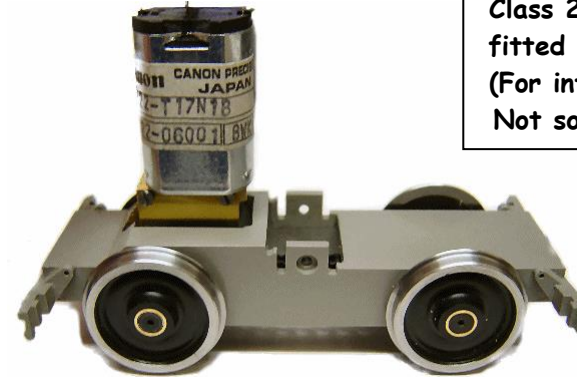


See over for further details of our range and pricing details.

Western Diesel Bogie - to scale



Class 24 showing the fitted DBG1 gearbox  
(For information only  
Not sold with bogie)



Diesel Bogie Gearbox - to scale